

TRIPLE SCISSORS

LIFT HIGHER

TECHNICAL SPECIFICATIONS

NOTE: EVERYTHING CAN BE CUSTOMIZED FOR YOUR NEEDS

- > LIFT CAPACITY: FROM 500 - 3500 KG
- > TRAVEL: 1500 - 7000 MM.
- > CLOSED HEIGHT: 400 - 1015 MM.
- > LENGTH: 900 - 4000 MM.
- > WIDTH: 650 - 2000 MM.
- > POWER SUPPLY: 3x400 V/50 Hz+PE
- > CE MARKED
- > AVAILABLE IN RAL COLOURS, STAINLESS OR GALVANIZED STEEL OR A MIX, HYGIENIC DESIGN AND ATEX
- > RUNS 10 LIFTS PER HOUR 8 HOURS A DAY (FULL TRAVEL)
- PLEASE INQUIRE FOR INTENSIVE USE
- > 2 SAFETY LOCKS FOR MAINTENANCE
- > SAFETY TRIP BAR IN ALUMINIUM
- > 2 COMPONENT POLYURETHANE PAINT (RAL)



Our triple vertical scissor lifts allows you to lift extremely high. Normally the triple scissor lift is used as a goods lift but it can also be used for work platforms, compensation for level differences and lifting/lowering of goods. Any of our triple scissor lifts can be changed to exactly fit your workflow needs.

A TRANSLYFT lifting table improves both efficiency and productivity while relieving your employees from everyday stresses caused by bending and lifting. A lifting table can provide a solution whenever heavy lifting, awkward working positions and height variations is a challenge.

See our standard triple scissor models on the next page or find out more at www.translyft.com

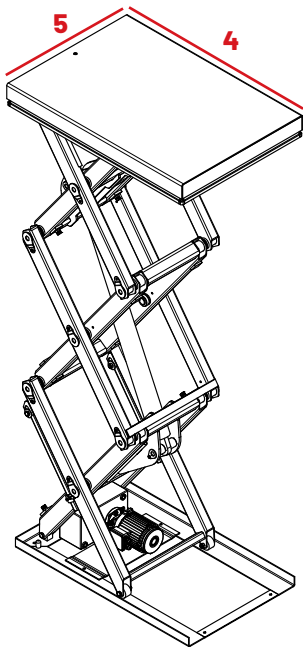


The lifting tables can be adapted to exactly fit your needs. This table has been mounted in a pit for easy access to platform.

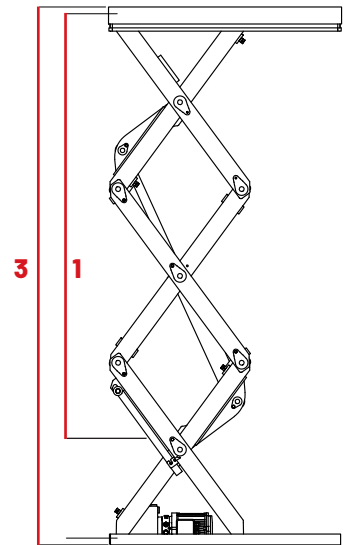
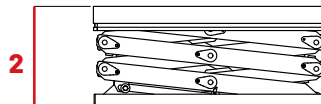


All lifts can be produced in a painted steel, stainless steel, galvanized steel or a solution with a mix of the three.

Type/Capacity kg	Travel mm	Closed height mm	Total raised height mm	Length mm	Width mm	Lift time sec	Motor kW	Weight kg
TRT 500	1500	400	1900	900	650	30	0,37	195
TLT 1500	2400	550	2950	1300	900	30	2.2	495
TMT 1500	3300	600	3900	1700	1200	65	2.2	1180
TMT 1500B	3300	600	3900	1700	1500	65	2.2	1220
TMT 2500	3300	600	3900	1700	1200	65	2.2	1040
TST 1500^	4500	800	5300	2400	1500	42	5.5	1300
TST 2500^	4500	800	5300	2400	1500	56	5.5	2400
TST 3500	4000	1000	5000	2500	1500	88	5.5	2665
TPT 1500	5700	1000	6700	3200	2000	70	5.5	3785
TXT 2000	7000	1015	8015	4000	2000	75	7.5	4175



- Capacity Highest load capability (when loaded correctly)
- Travel (1) Travel from closed height to top position
- Closed height (2) Height at lowest position
- Total raised height (3) Height at top position
- Length (4) Platform length
- Width (5) Platform width
- Lift time Time in sec. to top position
- Motor Size of motor
- Weight Weight of table



Have any questions about dimensions or features? Please call us at 01 893 4994 or find more information at www.translyft.co.uk